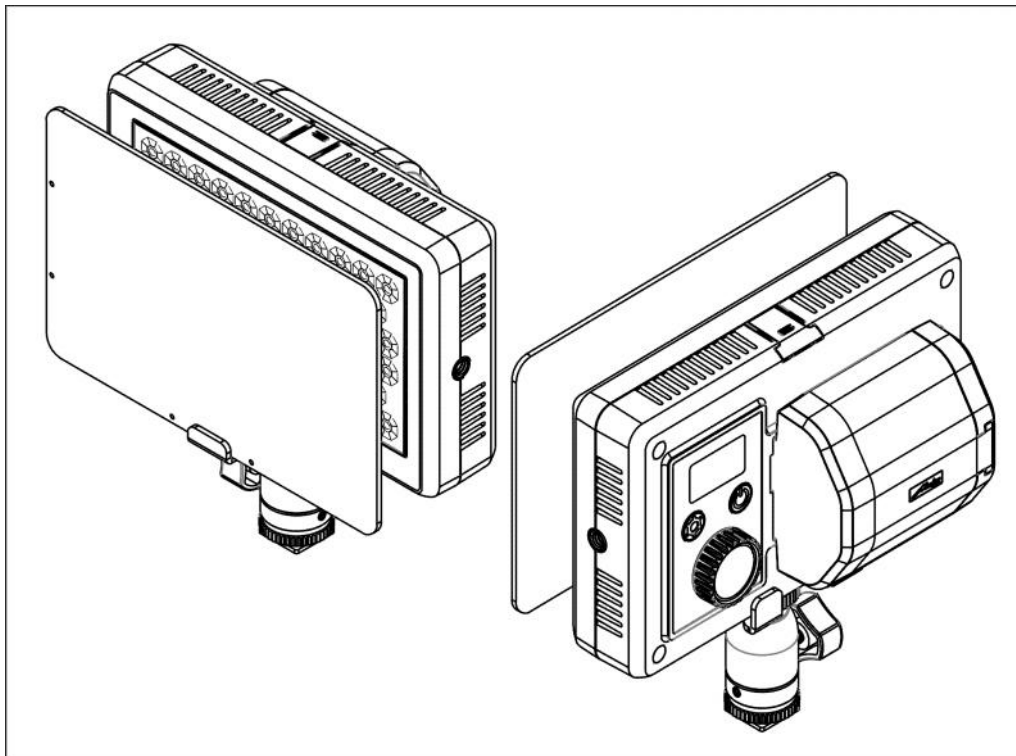




Video light  
mecalight L1000 BC  
mecalight L1000 BC X



English instruction manual

Version: 04/2017

---

# Table of contents

<b>Preface .....</b>	<b>5</b>
<b>Information on the instruction manual and manufacturer.....</b>	<b>5</b>
Keep this manual safe.....	5
Symbols used in this document.....	5
Manufacturer contact information.....	5
<b>Safety .....</b>	<b>6</b>
Intended use .....	6
Basic safety information.....	6
Avoid explosions in areas where there is a danger of explosions.....	6
Avoid explosions caused by improper use of the batteries .....	6
Avoid the risk of suffocation .....	7
Avoid electric shock.....	7
Avoid dangers by attempting repairs yourself.....	7
Avoid damage to the eyes .....	7
Avoid environmental damage through improper disposal .....	7
Avoid material damage and functional faults.....	7
Avoid material damage through use of an incorrect power supply .....	7
Avoid material damage through improper use of batteries .....	7
Avoid material damage by dropping or knocking the product .....	8
Avoid material damage from rain, steam, heat and humidity.....	8
Avoid material damage through improper carrying.....	9
Avoid material damage through incorrect accessories .....	9
Avoid material damage through improper cleaning.....	9
Functional faults due to electromagnetic radiation .....	9
Design of warning notices .....	10
Design of warnings relating to material damage .....	10
<b>Description .....</b>	<b>11</b>
Components and what's you'll find in the box .....	11
Purpose and functions .....	13
Technical data .....	14
<b>Unpack product and check that all the stated parts are present .....</b>	<b>16</b>
<b>Prepare the product for use .....</b>	<b>17</b>
Connecting a power supply.....	17
Inserting batteries.....	19

---

<b>Installing the P6 battery pack or a rechargeable battery pack .....</b>	<b>20</b>
<b>Removing the P6 battery pack or a rechargeable battery pack.....</b>	<b>21</b>
<b>Connecting a USB power supply .....</b>	<b>22</b>
Mounting the product .....	23
<b>Attach the product to the camera and adjust as required .....</b>	<b>23</b>
<b>Mounting the hot shoe adapter .....</b>	<b>23</b>
<b>Mounting the ball head on the video light .....</b>	<b>23</b>
Removing the video light from the camera. ....	24
Securing the diffuser panel .....	25
Securing the microphone/accessories.....	26
Setting up mobile device remote control.....	26
<b>Operating the product .....</b>	<b>27</b>
Switching the product on .....	27
Adjusting the brightness (POWER) .....	28
Adjusting colour temperature (COLOR) .....	29
Selecting and changing options (OPTIONS).....	30
<b>Fixing errors .....</b>	<b>32</b>
<b>After use .....</b>	<b>33</b>
Switch off the product.....	33
Remove power sources .....	33
Disassembling the product .....	33
<b>Installing firmware updates .....</b>	<b>34</b>
<b>Caring for and cleaning the product.....</b>	<b>35</b>
<b>Storing and transporting the product.....</b>	<b>36</b>
<b>Battery disposal.....</b>	<b>37</b>
<b>Disposing of the product .....</b>	<b>38</b>
In Europe .....	38
Outside of Europe.....	38
<b>Warranty conditions .....</b>	<b>39</b>
Federal Republic of Germany.....	39

---

Contact for service requests .....	40
------------------------------------	----

## Preface

Thank you for choosing a Metz “Made in Germany” quality product.

We are pleased to welcome you as a customer.

We understand that you’re probably keen to start using your video light right away.

However, it is worth reading through this instruction manual to ensure that you are able to use the product properly.

## Information on the instruction manual and manufacturer

This manual will help you to safely use the mecalight L1000 BC and mecalight L1000 BC X video lights. Henceforth the video light will be referred to as “product” for short.

### Keep this manual safe

A quick start guide and a safety sheet are included with the product.

- Always keep these documents and the product together.
- If you sell or otherwise pass on the product, please also include these instructions.

### Symbols used in this document

Various elements in this instruction manual are indicated using symbols. These enable the following elements to be easily differentiated:

normal text

➤ Operational steps

) List of the first level

❗ Tips provide additional information, such as the specifications of the product.

### Manufacturer contact information

Metz mecatech GmbH

Ohmstraße 55

90513 Zirndorf

Tel.: +49-911-9706-0

Email: [info@metz-mecatech.de](mailto:info@metz-mecatech.de)

Website: [www.metz-mecatech.de](http://www.metz-mecatech.de)

# Safety

## Intended use

The mecalight L1000 BC and mecalight L1000 BC X are designed to provide illumination for videos and photos indoors and outdoors.

The mecalight L1000 BC video light is not splashproof and may only be used in a dry environment.

The mecalight L1000 BC X video light is splashproof in accordance with protection class IP44.

Intended use also includes observing and following the instructions in the enclosed documents, especially the safety sheet.

Reading and understanding these instructions form part of proper use, as well as observing and following the information within the instructions, particularly the safety instructions. Furthermore, the safety instructions and all other information in the instruction manuals of the camera and flash devices used must also be observed. Any other use is explicitly considered improper use and will void warranty and liability claims.

## Basic safety information

### Avoid explosions in areas where there is a danger of explosions

The product does not feature explosion protection.

- Do not use the product in an environment where flammable gases or liquids, such as benzene, solvents etc are present.
- The product may not be used in these areas under any circumstances.
- Only connect other devices to the product when outside of these areas.

### Avoid explosions caused by improper use of the batteries

Improper use of batteries can cause explosions.

- When replacing the batteries, ensure they are all replaced by comparable, high-quality batteries with the same capacity from the same manufacturer.
- Do not dispose of batteries in fire.
- Do not use damaged batteries.
- Do not attempt to charge dry batteries.
- Do not short-circuit the batteries.

**Avoid the risk of suffocation**

Small parts are included with the product. Children may swallow these small parts and choke.

- Ensure that the product and other parts of the photo or video equipment are kept out of the reach of children.

**Avoid electric shock**

Electric shock injuries can occur as a consequence of damage to the housing which exposes internal parts.

- Only use the product in good order and condition.
- Have a damaged product repaired by a qualified technician.

**Avoid dangers by attempting repairs yourself**

Improper repairs can compromise your safety and jeopardise the proper functioning of the product.

- The product must only be repaired by qualified technicians.

**Avoid damage to the eyes**

The product can cause damage to the eyes.

- Never point the product directly at the eyes of people or animals.

**Avoid environmental damage through improper disposal**

Environmental damage through improper disposal possible.

- Dispose of batteries in an environmentally sound manner according to local regulations.
- Never dispose of batteries in household waste.

**Avoid material damage and functional faults****Avoid material damage through use of an incorrect power supply**

Use of power sources other than those specified in this manual may result in damage to the product.

- Only use the power sources recommended in this instruction manual.

**Avoid material damage through improper use of batteries**

Improper use of batteries can lead to material damage.

- Only use the power sources recommended in this instruction manual.
- Make sure that the positive and negative ends are facing the correct direction.
- Remove batteries from the product for charging.
- Charge batteries only using the charger provided.

## Safety

---

- Ensure that the batteries are not exposed to excessive heat, e.g. sunlight, fire or similar.
- Remove used batteries from the product.
- If the product is not going to be used for a long period, turn it off using the main switch and remove the batteries.
- Never mix batteries and rechargeable batteries.

### **Avoid material damage by dropping or knocking the product**

Drops and bumps can damage the product.

- Ensure that the product is not dropped and is protected from impacts.

### **Avoid material damage from rain, steam, heat and humidity**

L1000 BC products are not splashproof. L1000 BC X products are splashproof in accordance with protection class IP44 only if used together with the supplied P6 battery pack. See section "Technical data".

Rain, steam, heat and humidity can damage the product.

- Protect the product from being dripped on, splashed (e.g. rain) or exposed to steam.
- Protect the product from excessive heat and high humidity.
- Do not store the product in the glove box, on the dashboard or on the parcel shelf of your car.
- Store the product within the limits specified in the section "Technical data" with regard to humidity and temperature.

A sudden change in temperature can cause moisture to condense on the product, thus resulting in damage.

- Allow the product to acclimatise to the environment before switching it on.

If the ventilation slots are closed, the product can be damaged by overheating.

- Ensure the ventilation slots are not covered or closed.



### **Avoid material damage through improper carrying**

- Always support the camera and video light when carrying them.
- Always transport the camera, video light and other equipment separately.

### **Avoid material damage through incorrect accessories**

Using the product with incorrect accessories can lead to material damage.

- Only use the product with the accessories recommended in this instruction manual.

### **Avoid material damage through improper cleaning**

Incorrect cleaning can cause damage to the product.

- Only use a dry, soft cloth (e.g. microfibre cloth) to clean the product.
- Do not use any harsh chemicals or solvents to clean the product.







### **Functional faults due to electromagnetic radiation**

When Bluetooth is activated, the product transmits and receives electromagnetic radiation in the frequency range of 2.4 GHz. The transmitted signals may interfere with other radio systems, e.g. mobile phones (phones, cordless home telephones), WiFi routers, radio and TV transmitters or medical devices.

- Ensure that the use of the product is permitted before using it in sensitive environments such as hospitals and airports.

## Design of warning notices

You will find the following warnings in this instruction manual:

 <b>DANGER</b>	
	Symbols or signs including the word DANGER indicate hazardous situations which, if not avoided, will result in death or serious injury.
 <b>WARNING</b>	
	Symbols or signs including the word WARNING indicate hazardous situations which, if not avoided, could result in death or serious injury.
 <b>CAUTION</b>	
	Symbols or signs including the word CAUTION indicate a hazardous situation which, if not avoided, could result in minor or moderate injury.

## Design of warnings relating to material damage

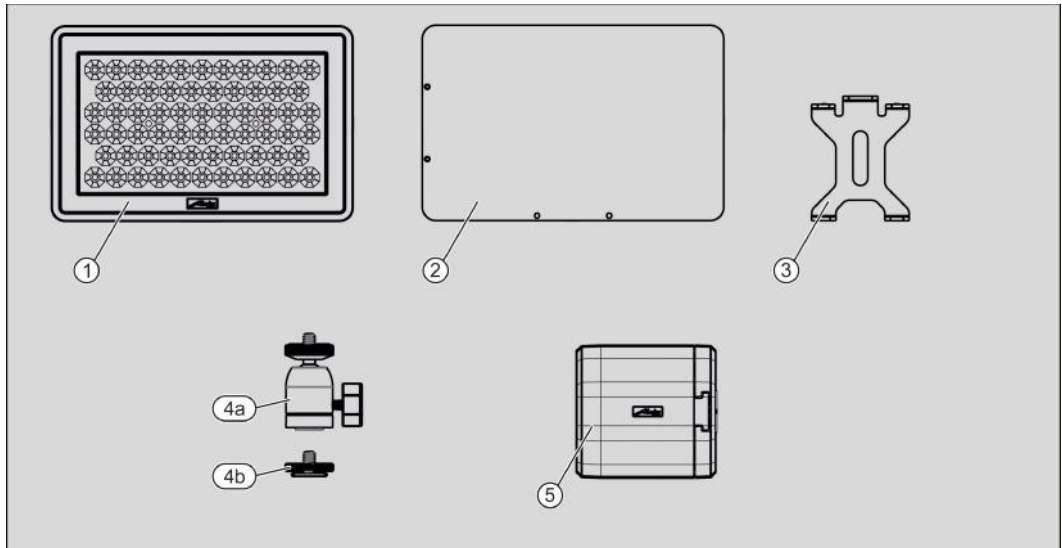
<b>ATTENTION!</b>	
	These notices indicate situations which can lead to material damage.

## Description

### Components and what's you'll find in the box

The product is delivered packaged.

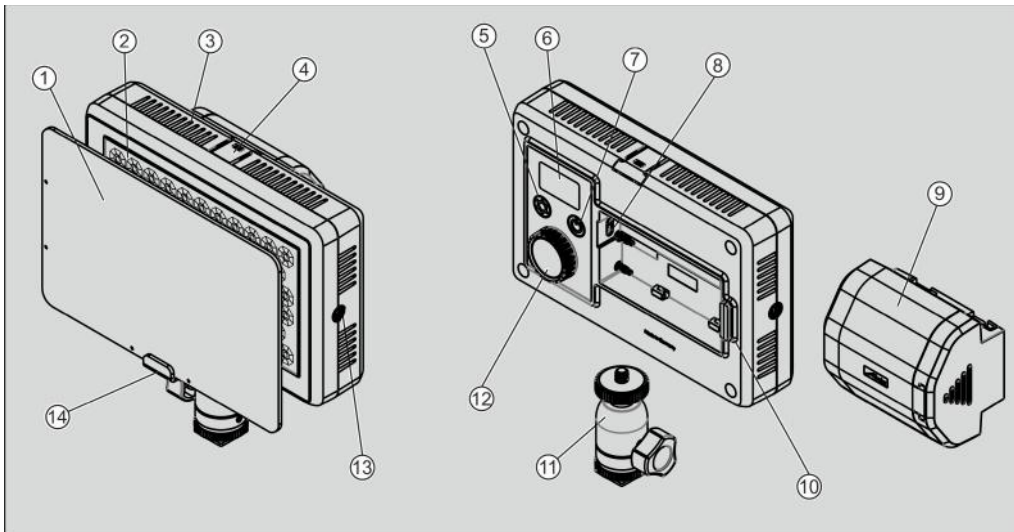
The following components are included:



No.	Description	L1000 BC	L1000 BC X splashproof
1	Video light	•	•
2	Diffuser panel	-	•
3	Mounting bracket	-	•
4a	Device mount with ball head	•	•
4b	Hot shoe adapter	•	•
5	P6 battery pack	•	•
	Quick start guide: not shown	•	•
	Safety sheet: not shown	•	•

## Description

The following diagram shows the product's components and operating elements.



No.	Name
1	Diffuser panel (only as standard with L1000 BC X)
2	Dimmable LEDs with adjustable colour temperature
3	Ventilation slots
4	Mounting shoe for accessories, e.g. for a microphone (not included)
5	OPTIONS buttons
6	OLED display
7	POWER ON/OFF button (Main ON/OFF switch)
8	Micro USB port to connect an external power source or data cable
9	P6 battery pack (hold 6 AA batteries or rechargeable batteries)
10	Release button for P6 battery pack or lithium-ion battery.
11	Hot shoe adapter with device mount and ball head
12	Multi-function wheel
13	Thread to attach ball head
14	Mounting bracket for diffuser panel (only as standard on L1000 BC X)

## **Purpose and functions**

The mecalight L1000 BC and mecalight L1000 BC X are designed to provide illumination for videos and photos indoors and outdoors.

The mecalight L1000 BC video light is not splashproof and may only be used in a dry environment.

The mecalight L1000 BC X video light is splashproof in accordance with protection class IP44. A mounting bracket and a diffuser panel are included with this video light for a wider angle of illumination in softer light conditions.

The brightness (POWER) and colour temperature (COLOR) can be adjusted using the multi-function wheel on the back.

The video light is attached to the camera or tripod using the mounting bracket included. The ball head on the mounting bracket allows the video light to be adjusted in any direction. The mounting bracket with ball head can be screwed into one of three 1/4" threads on the housing.

The product can be remotely controlled from a mobile device using the free app.

## Description

### Technical data

Basic data	
Dimensions (W x H x D), without P6 battery pack	153 x 99 x 44 mm
Dimensions (W x H x D), with P6 battery pack	153 x 99 x 71 mm
Dimensions (W x H x D), with mounted device mount with ball head	153 x 155 x 44 mm
Dimensions (W x H x D), with mounted diffuser panel and P6 battery pack	153 x 99 x 94 mm
Display dimensions (W x H)	23.7 x 12.8 mm
Weight, without P6 battery pack	245 g
Weight, with P6 battery pack without batteries	410 g
Weight of diffuser panel with mounting bracket	49 g
Power supply	6 x AA (Mignon): 1.2 V nickel–metal hydride batteries or 1.5 V alkaline-manganese dry batteries L-Type lithium-ion battery With micro USB cable using a USB power supply or powerbank
Lighting intensity	1,000 Lux, adjustable from 0–100%
Colour temperature range	2,800–5,700 K, adjustable
Beam angle	60°
Threads	3 x 1/4"

Area of use	
Humidity	<85%, non-condensing (L1000 BC X video lights are splashproof in accordance with protection class IP44.)
Temperature	0–40°C

Ambient conditions for storage and transport	
Humidity	<85%, non-condensing (L1000 BC X video lights are splashproof in accordance with protection class IP44.)
Temperature	–20–+60°C

Maximum operating time in continuous operation	
1.2 V nickel–metal hydride batteries Reference: Panasonic eneloop 1900 mAh	approximately 55 minutes*
L-Type lithium-ion battery NP-F970 Reference: Sony NP-F970	approximately 210 minutes*

(\*) 100% brightness (POWER) and ambient temperature of approx. 20°C

The maximum operating time with a powerbank depends on the capacity of the powerbank (mAh).

➤ Test the video light's maximum operating time with the powerbank you use.

When connected to a USB power supply, the theoretical operating time is unlimited. The actual operating time depends on how warm the video light gets.

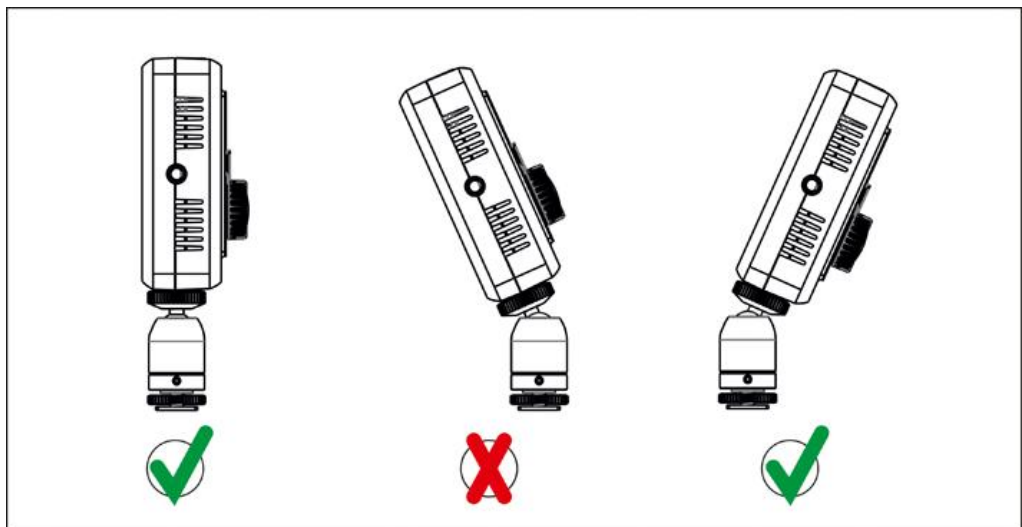
The protection class IP44 describes the protection against solid foreign objects and the protection against splashing water. Accordingly, the L1000 BC X is protected against the intrusion of foreign objects which have a maximum size of 1 mm.

The following must be observed with regard to protection against splashes:



The L1000 BC X is protected against splashes of water, but not against the ingress of water into the housing which is pressurised or in the form of a jet. The device is also not protected against being immersed in water.

Additional word of warning:

the device must not be exposed to splashes of water when in a tilted position, as shown below: When tilted in this way, water which enters the housing from above cannot drain properly.



## Unpack product and check that all the stated parts are present

 <b>DANGER</b>	
	<p>Danger of suffocation if small parts or films are swallowed by small children.</p> <ul style="list-style-type: none"><li>➤ Make sure that the product's components and accessories are kept out of the reach of children.</li><li>➤ Dispose of the packaging in accordance with local regulations.</li></ul>

<b>CAUTION!</b>	
	<p>Drops and bumps can damage the product.</p> <ul style="list-style-type: none"><li>➤ Avoid knocking or dropping the product.</li></ul>

- Remove the product from the packaging.
- Dispose of the packaging according to local regulations.
- Check that all the stated parts are present (see Page 11).
- Check to make sure there is no damage to any of the parts.
- Please contact your specialist dealer if there is any damage.



The panel in front of the LEDs has a protective film on it to prevent scratches.

- Remove the plastic film from the panel.
- Dispose of the protective film according to local regulations.



## Prepare the product for use

### Connecting a power supply

 <b>WARNING</b>	
	<p>Risk of injury from an electric shock from a damaged housing.</p> <ul style="list-style-type: none"><li>➤ Only use the product in good order and condition.</li><li>➤ Have a damaged product repaired by a qualified technician.</li></ul>

You have the option of operating the product using the following power sources:

) Nickel–metal hydride batteries 1.2 V, Type IEC HR6 (AA/Mignon).

) Alkaline-manganese dry batteries 1.5 V, Type IEC LR6 (AA/Mignon)

If using these power sources, six batteries must be inserted into the supplied battery pack for operation.

) L-Type lithium-ion batteries (NPF) 7.2 V/min.2 A with integrated low voltage detection and temperature monitoring

) Connect a fast-charging USB Power Bank 5 V(\*)/ 9 V/12 V with high-quality fully-wired micro USB cable

) Connect to the local power supply with a USB power supply 5 V(\*)/9 V/12 V with a high-quality fully-wired micro USB cable

The power sources mentioned are not included in the delivery.

(\*) possibly limited to 5 V supply, depending on the configuration.



Power supply types: the P6 battery pack does not come with batteries.



Only use the original P6 battery pack when using a battery pack as a power supply.



Only use the power sources indicated above. There is a risk of damaging the product when using other power sources.



When inserting the batteries ensure that the positive and negative ends are facing the directions indicated by the symbols in the P6 battery pack. Batteries facing the wrong way can destroy the product! Risk of explosion if batteries are used incorrectly. When replacing the batteries, ensure they are all replaced by comparable, high-quality batteries with the same capacity from the same manufacturer.



The temperature of batteries in the P6 battery pack is monitored. Batteries heat up differently depending on type and quality. We advise you check the temperature of the batteries before changing them.



Remove the batteries when transporting or storing the P6 battery pack.



We recommend using high-quality NiMH batteries, e.g. “Panasonic eneloop” batteries.



It is the user’s responsibility to monitor the battery when using an L-Type lithium-ion battery.

## Inserting batteries

The included P6 battery pack allows you to attach AA batteries (Mignon) to the video light. The P6 battery pack features an in-built temperature monitor.

### CAUTION!

Improper use of power sources can lead to material damage.

- Only use the power sources recommended in this instruction manual.
- When inserting the batteries, ensure that the positive and negative ends are facing the directions indicated by the symbols in the P6 battery pack.

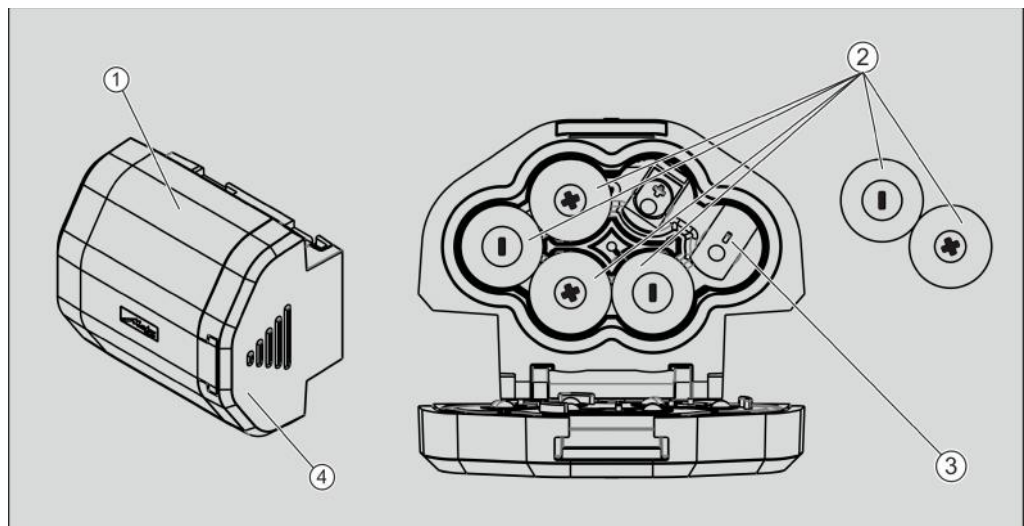
### CAUTION!

Operating the video light with another battery pack can lead to material damage.

- Only use the P6 battery pack.

**i** The use of alkaline manganese dry batteries may result in performance decreases of the video light. Weak or low-quality batteries may warm up. For this reason it is normally better to use rechargeable batteries. If possible use NiMH rechargeable batteries. Only use regular batteries in case of necessity.

- To open the P6 battery pack (1) cover (4), slide the cover (4) in the direction indicated by the arrow and lift. There are plus and minus symbols (3) in the P6 battery pack which indicate which way the batteries belong.
- Insert six batteries (2) into the P6 battery pack, ensuring they are facing the right way and then close the cover (4).
- Replace the cover of the battery pack by sliding it in the opposite direction of the arrow as far as it will go.



### Installing the P6 battery pack or a rechargeable battery pack

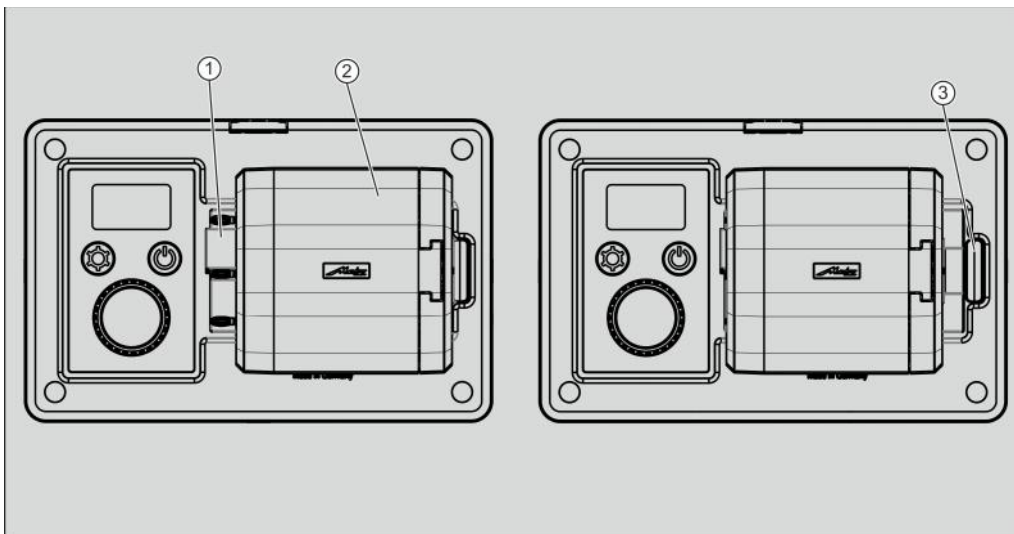
You can connect the supplied P6 battery pack or an L-Type lithium-ion battery pack, available as an accessory, to the video light. This process is the same for both power supplies.

The installation of the P6 battery pack is illustrated in the following section.

- Install the P6 battery pack (2) or the rechargeable battery pack in the battery holder (1) on the back of the video light as shown.

The cover must face the locking mechanism (3).

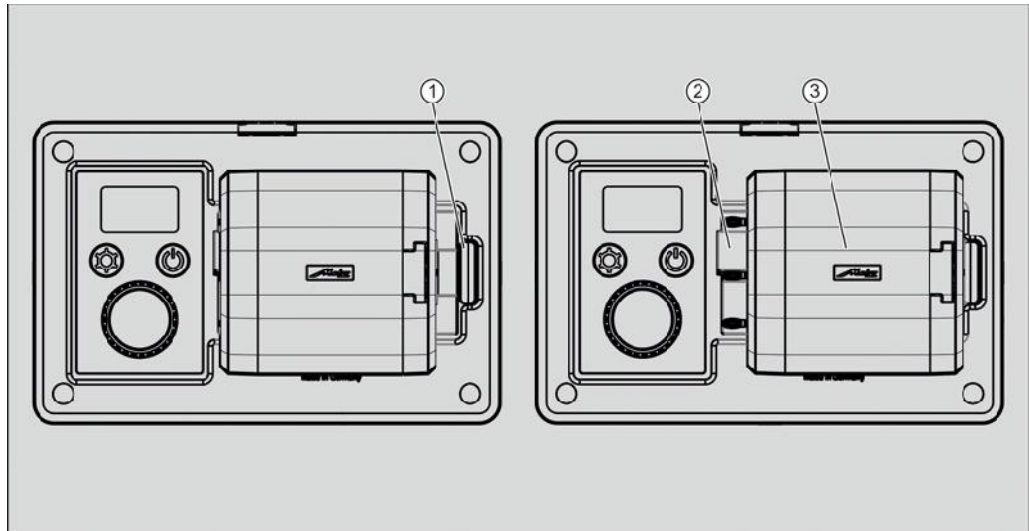
- Press down on the P6 battery pack and slide it away from the locking mechanism, towards the OLED display.
- Ensure that the P6 battery pack is securely attached to the video light.



### Removing the P6 battery pack or a rechargeable battery pack

Follow the instructions below to remove the P6 battery pack/rechargeable battery pack:

- Press and hold the release button (1).
- Slide the P6 battery pack (3) in the battery holder (2) as far as it will go towards the release button.



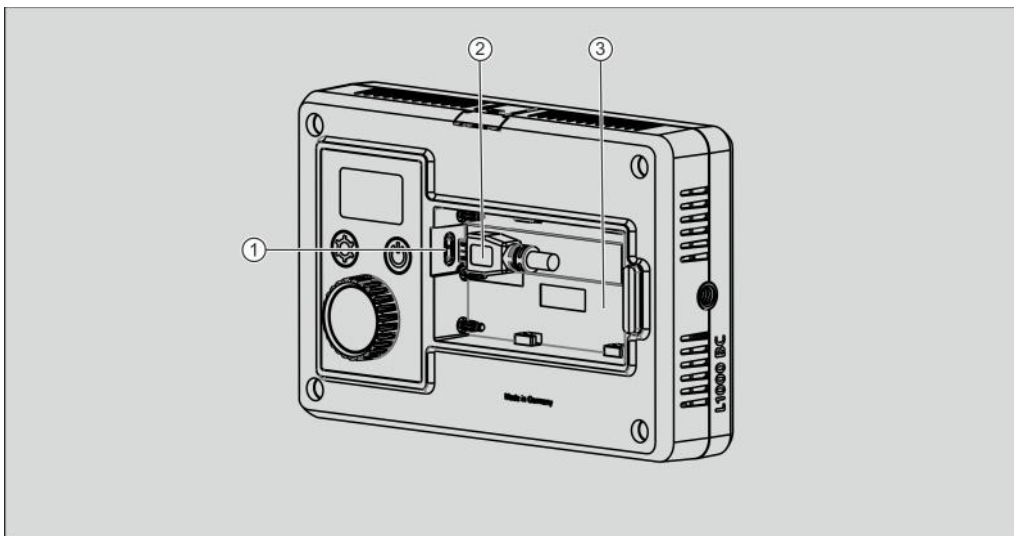
- Remove the P6 battery pack from the battery holder (2).

### Connecting a USB power supply

There is a micro USB port (1) in the video light's battery holder (3). This micro USB port is fitted with a rubber cover.

- First remove the rubber cover to connect a USB cable to the micro USB port.
- You can use a USB cable to connect a USB power supply or a powerbank. Neither a USB cable nor a USB power supply are included.
- Keep the rubber cover to hand in order to cover the micro USB port again after removing the USB cable.
- The IP44 splash rating only applies to the L1000 BC X video light if the micro USB port is sealed using the rubber cover.

**i** A decrease in performance may occur depending on the USB cable used in connection with a powerbank 5 V/2 A.



When connected to a USB power supply, the theoretical operating time is unlimited. The actual operating time depends on how warm the video light gets.

- Regularly check the status on the display during use.
- Turn the video light off if a temperature warning is displayed.
- If this happens, wait until the video light is lukewarm before turning it on again.

## Mounting the product

### Attach the product to the camera and adjust as required

You can attach the video light to the camera's hot shoe using the included accessories – the hot shoe adapter (4) and the device mount (5) with ball head. In addition, there are three threads (1) on the bottom and side of the video light.

- Also observe the instructions in the camera's user manual.

### Mounting the hot shoe adapter

- Slide the hot shoe adapter (4) into the camera's hot shoe.
- Secure the hot shoe adapter (4) in the camera's hot shoe using the thumb screw.

### Mounting the ball head on the video light

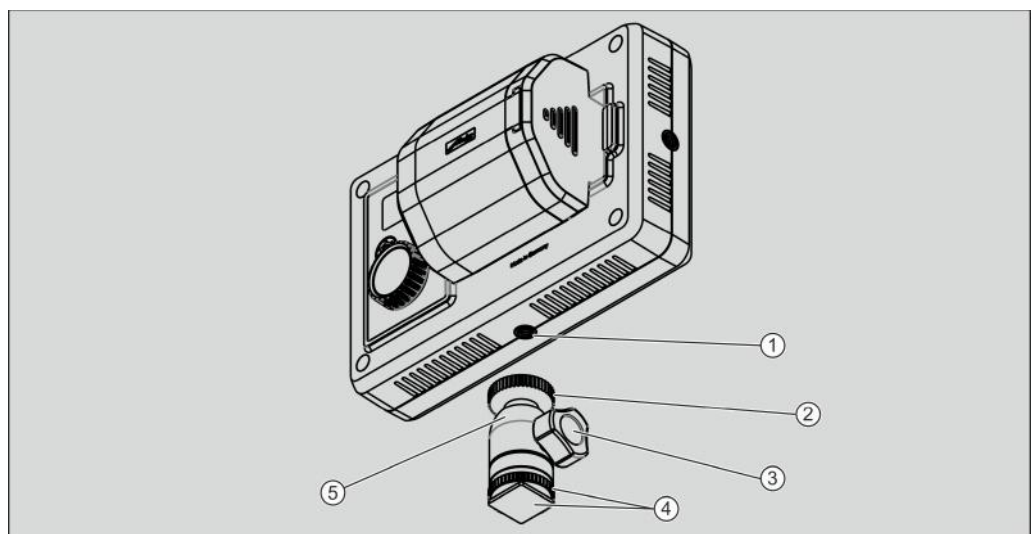
- Loosen the star screw (3) on the device mount (5) slightly and screw the thumb screw of the ball head into the video light's thread (1) until hand-tight.

### Mounting the video light with ball head and device mount to the camera

- Align the device mount (5) and the ball head straight and clamp the ball head with the star bolt (3).
- Screw the video light together with the ball head and the device mount (5) onto the tripod socket of the hot shoe adapter (4).

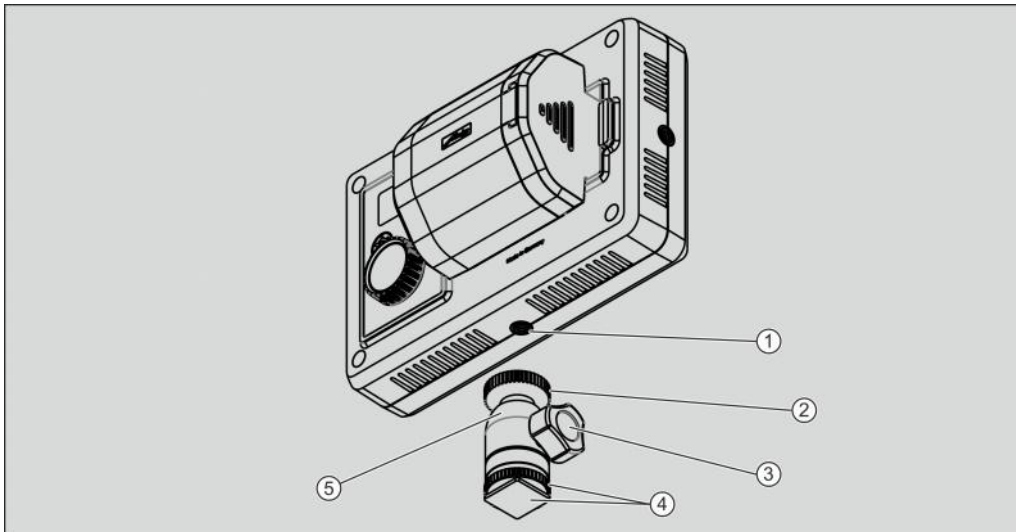
### Positioning the video light

- Hold the video light with one hand and loosen the star screw (3) with the other.
- Adjust the video light to the desired position.
- Hand tighten the star screw (3).



**Removing the video light from the camera.**

- The star screw (3) on the device mount must be hand-tight.
- Screw the video light together with the device mount and the ball head and remove from the hot shoe adapter (4).
- Using the thumb screw (2), loosen the ball head and the device mount (5) from the video light.
- Loosen the thumb screw on the hot shoe adapter (4) and pull the flash shoe adapter (4) out of the camera's hot shoe.





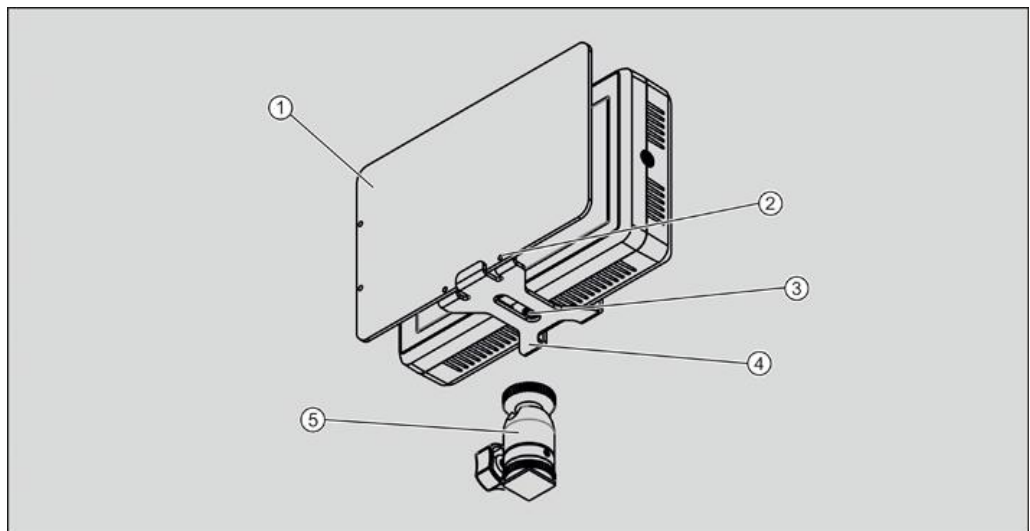
### Securing the diffuser panel

The diffuser panel supplied with mecalight L1000 BC X enables you to illuminate the subject evenly and softly. To do this you can attach the mounting bracket for the diffuser panel using the device mount on the bottom or on the side of the housing. The method for doing this is described in the previous section. Mount the diffuser panel as follows:

- Insert the mounting bracket (4) with the guide slot over the thumb screw of the device mount (5).
- Secure the device mount (5) together with the mounting bracket (4) in the desired socket (3) on the video light.
- Insert the diffuser panel (1) into the mount with the locking openings (2) provided for this purpose as shown.

You can change the distance between the video light and the diffuser panel to adjust its effect:

- Loosen the thumb screws on the ball head by a quarter turn.
- Slide the mounting bracket of the diffuser panel into the desired position.
- Hand tighten the thumb screw of the ball head.



### **Securing the microphone/accessories**

A standard accessory shoe is fitted to the top of the housing. You can use the accessory shoe to attach a microphone, as described in the microphone's instruction manual.

- Remove the cover from the video light's shoe before mounting.
- Loosen the thumb screw on the microphone.
- Slide the microphone's mounting plate into the video light's accessory shoe.
- Hand tighten the thumb screw on the microphone and use it to clamp the microphone in the video light's accessory shoe.

### **Setting up mobile device remote control**

The product can be remotely controlled from a mobile device using the free app.

- Scan the QR code shown below to install the app on your mobile device.
- Follow the subsequent on-screen instructions on the device.



Information on how to use the app can be found on the mecatech website.



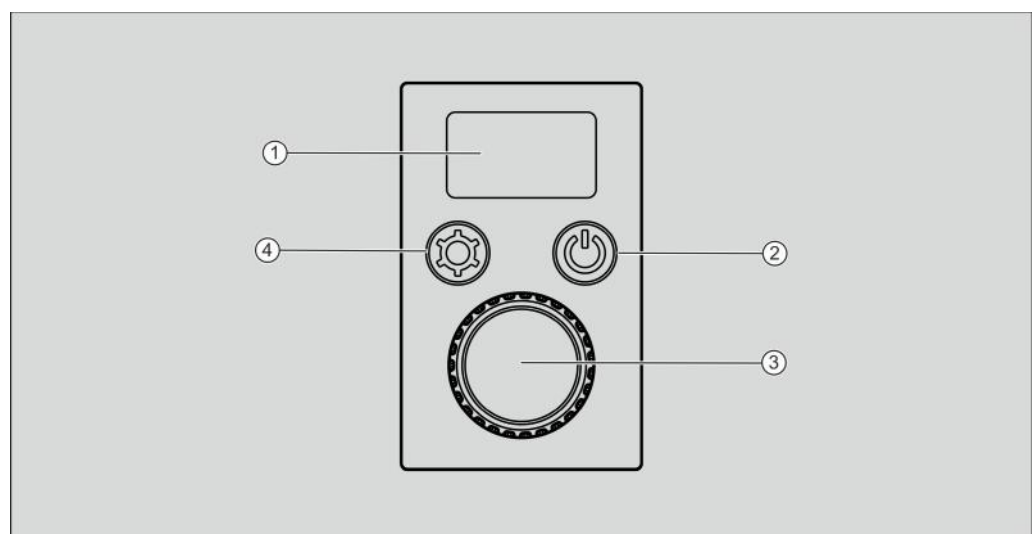
[www.metz-mecatech.de](http://www.metz-mecatech.de)

## Operating the product


### Switching the product on

<b>⚠ DANGER</b>	
	<p>The product does not feature explosion protection.</p> <ul style="list-style-type: none"> <li>➤ Do not use the product in an environment where flammable gases or liquids, such as benzene, solvents etc are present.</li> </ul>
<b>⚠ CAUTION</b>	
	<p>The product can cause damage to the eyes.</p> <ul style="list-style-type: none"> <li>➤ Never point the product directly at the eyes of people or animals.</li> </ul>
<b>CAUTION!</b>	
	<p>Moisture can start to build if temperatures change dramatically.</p> <ul style="list-style-type: none"> <li>➤ Allow the product to acclimatise to the environment before switching it on.</li> </ul>

- Press the POWER ON/OFF (2) button to switch on the product. The current brightness setting (POWER) is display in percent on the OLED display (1). You can now adjust the brightness (POWER) using the multi-function wheel (3).
- To adjust the colour temperature (COLOR), briefly press the multi-function wheel (3). You can now adjust the colour temperature (COLOR) using the multi-function wheel (3).
- To switch to the OPTIONS menu, press the OPTIONS button (4).



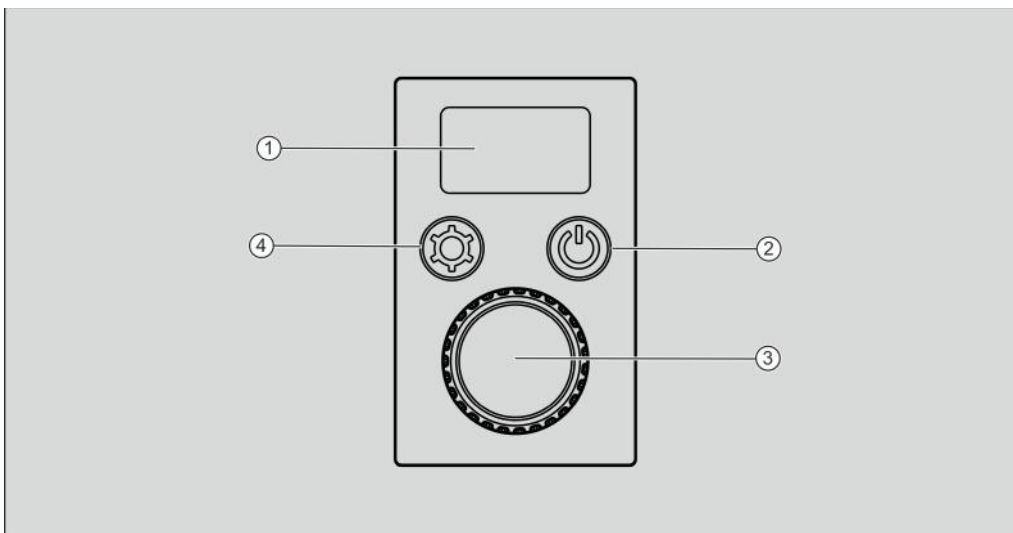
## Adjusting the brightness (POWER)

<b>⚠ CAUTION</b>	
	<p>The product can cause damage to the eyes.</p> <ul style="list-style-type: none"><li>➤ Never point the product directly at the eyes of people or animals.</li></ul>

You can adjust the brightness of the video light between 0%–100%. The multi-function wheel adjusts settings in 5% increments. You can adjust settings in 1% increments using the mobile app.

The current brightness is displayed in percent when you switch the product on. The “POWER” setting is displayed above the brightness. The current brightness is also displayed using a bar.

- Press the POWER ON/OFF button (2).  
The current brightness setting will be displayed on the OLED display (1) in percent.
  - To reduce the brightness, turn the multi-function wheel (3) anti-clockwise.
  - To increase the brightness, turn the multi-function wheel (3) clockwise.
- The brightness will change immediately and is displayed on the OLED display. The last used settings value will be saved when you press the POWER ON/OFF button.



## Adjusting colour temperature (COLOR)

You can adjust the colour temperature of the video light in steps between 2800 and 5700 K.

- Press the POWER ON/OFF button (2).

The current brightness will be displayed on the OLED display (1) in percent.

- To display the tendency of the currently colour temperature setting, briefly press the multi-function wheel (3).

The “COLOR” setting is displayed in the top of the OLED display. Below, a vertical marking within a bar shows the current tendency of the colour temperature between artificial light (left / 2800 K) and daylight (right / 5700 K).

The further right this marking is displayed, the colder the light of the video light will appear.

- To increase the colour temperature, turn the multi-function wheel (3) clockwise.

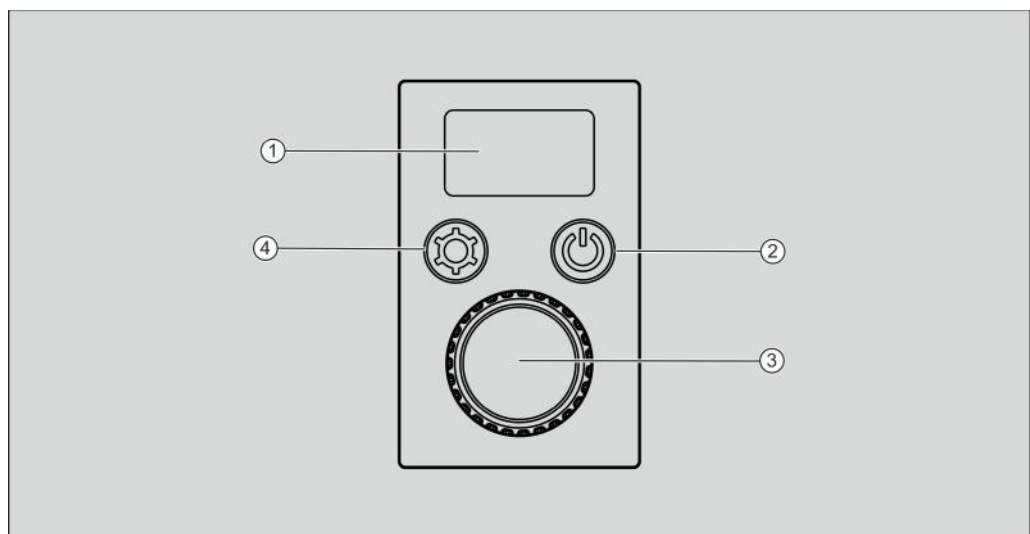
The light will appear colder.

- To reduce the colour temperature, turn the multi-function wheel (3) anti-clockwise.

The light will appear warmer.

- To get back to the brightness (POWER) setting, briefly press the multi-function wheel (3).

If you don't enter any changes, the display will automatically switch back to brightness (POWER) after 5 seconds. The last setting is saved. When you press the POWER ON/OFF (2) button, the last setting will also be saved.



## Selecting and changing options (OPTIONS)

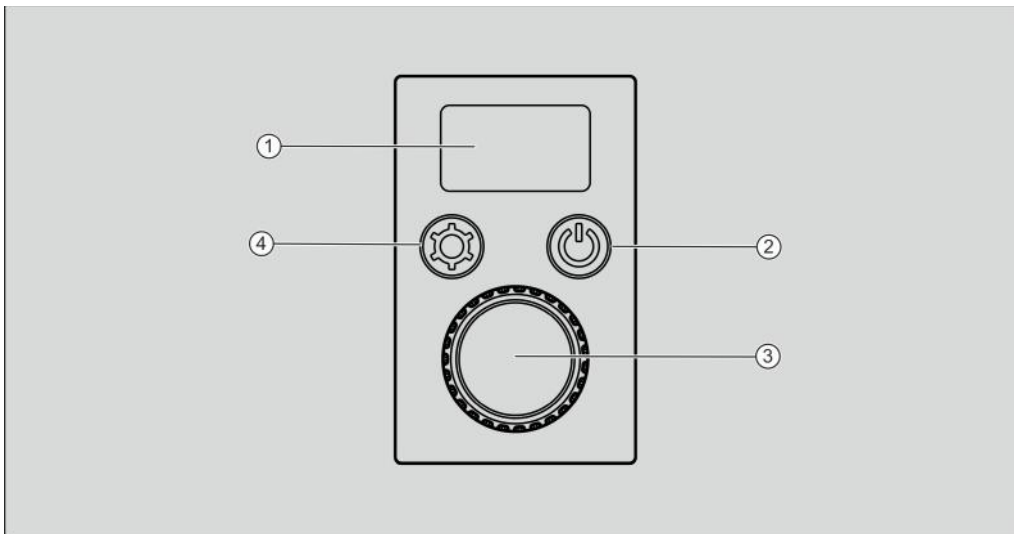
- Press the POWER ON/OFF (2) button.

The current brightness will be displayed in percent.

- To open the options menu, press the OPTIONS button (4).

The option "BLUETOOTH" will be displayed on the OLED display (1). Arrows will be shown next to the symbol. A white arrow indicates the direction which you have to turn the multi-function wheel (3) in order to display another option.

- ❶ If you don't make any changes the current brightness will be displayed in percent after 5 seconds.



You can make the following basic changes to settings in the options menu:

- ⌋ BLUETOOTH [ON-OFF]: switch Bluetooth on and off.
- ⌋ DISPLAY [50%-100%]: set the display brightness to low ("50%") or high ("100%").
- ⌋ MANUAL: Show QR code with a download link for this manual.
- ⌋ RESET: restore factory settings.

Select a desired option as follows:

- To select an option, turn the multi-function wheel (3) until the desired option is displayed.
- To select the desired option, briefly press the multi-function wheel (3).



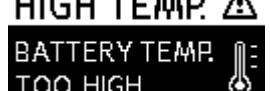

The possible selection options will appear.

- Choose an option by turning the multi-function wheel (3) until the option is highlighted.
- Select the highlighted option by briefly pressing the multi-function wheel (3).

The current brightness will be displayed on the OLED display in percent. The selected option has been applied.

- ❗ If you select the option “BLUETOOTH ON”, an icon for activation will be displayed in the upper right of the OLED display. This icon does not indicate successful pairing with a mobile device.
- ❗ The highlighted option in question will also be applied if, after 5 seconds, you don't enter anything or if you press the OPTIONS or POWER ON/OFF buttons.

## Fixing errors

Problem	Possible causes	Remedy
<p><b>BATTERY LOW</b></p>  <p>“BATTERY LOW” is flashing on the screen.</p>	<p>The connected power source is almost empty.</p>	<p>Change power source as soon as possible.</p>
<p>The video light will turn off. “BATTERY LOW” will be displayed on the screen for approximately 20 seconds afterwards.</p>	<p>The connected power source is empty.</p>	<p>Change power source.</p>
<p><b>HIGH TEMP. LAMP TEMP. TOO HIGH</b></p>  <p>“HIGH TEMP. LAMP TEMP. TOO HIGH” appears on the screen.</p>	<p>The temperature of the video light is too high.</p>	<p>Turn the video light off immediately.</p> <p>Leave the video light to cool down until it is lukewarm.</p> <p>Ensure the video light’s ventilation slots are not covered or closed.</p> <p>Only use the video light within the limits stated in the “Technical data” section.</p>
<p><b>HIGH TEMP. BATTERY TEMP. TOO HIGH</b></p>  <p>“HIGH TEMP. BATTERY TEMP. TOO HIGH” appears on the screen.</p>	<p>The temperature of the batteries in the P6 battery pack is too high.</p>	<p>Turn the video light off immediately.</p> <p>Leave the video light to cool down until it is lukewarm.</p> <p>Change power source.</p> <p>Only use high-quality batteries.</p> <p>Only use high-quality batteries of the same kind.</p>
<p><b>USB POWER TOO LOW</b></p>  <p>“USB POWER TOO LOW” is displayed on the screen.</p>	<p>The voltage of the power source connected via the USB port is too low.</p>	<p>Change power source.</p> <p>Only use high-quality USB cables.</p>

➤ If you cannot solve the problem this way, contact your dealer.



## After use

### Switch off the product

- Press the POWER ON/OFF button to switch off the product.

The LEDs and the OLED display will turn off. The recently used settings and options will be saved.

### Remove power sources

<b>CAUTION!</b>	
	Leaking batteries can damage the product. <ul style="list-style-type: none"> <li>➤ Remove any power sources from the product when not in use for extended periods.</li> </ul>

- Disconnecting the product from the power source.
- Remove the batteries.
- Charge the batteries according to the manufacturer's instructions as necessary.

### Disassembling the product

<b>CAUTION!</b>	
	Dropping or knocking the product can result in damage. <ul style="list-style-type: none"> <li>➤ Avoid knocking or dropping the product.</li> </ul>

Remove the diffuser panel and the device mount with ball head before transporting or storing the product.

- Detach the diffuser panel from the mounting bracket.
- Keep the diffuser panel protected from being scratched, bent or knocked.
- Remove the video light with mounting bracket (if present) and device mount from the hot shoe adapter.
- Separate the video light, mounting bracket and device mount with ball head.
- Remove the device mount with ball head from the camera.
- Remove the hot shoe adapter from the camera's accessory shoe.
- Keep all parts dry and protected from damage.

## Installing firmware updates

The product's firmware version is displayed for a few seconds at the bottom of the OLED display.

The product's firmware version can be updated using the built-in USB port.

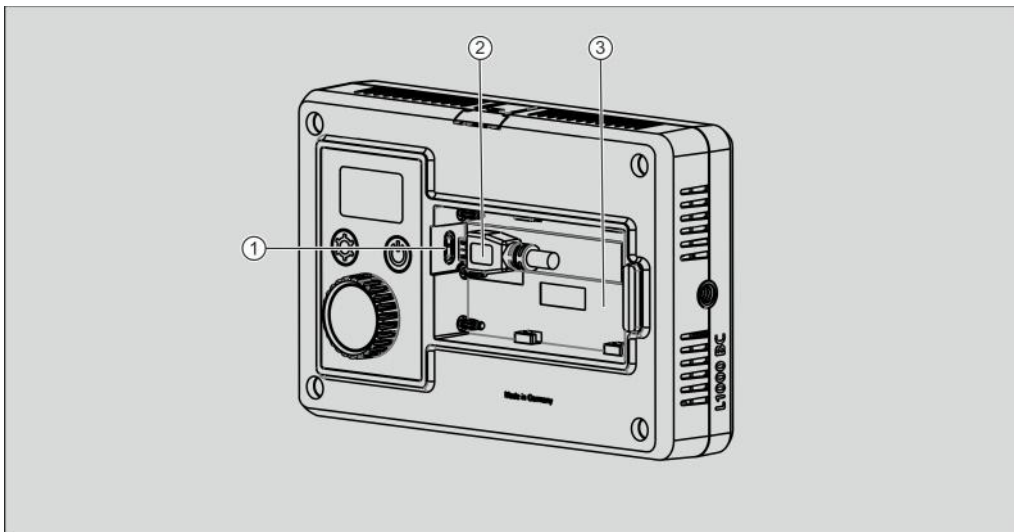
If there is a new firmware version for the product, it will be made available on our website

[www.metz-mecatech.de](http://www.metz-mecatech.de)

for download.

Visit this website for more information on firmware updates.

- A micro USB port (1) to connect a micro USB cable\* (2) for the firmware update is located in the video light's (3) battery holder.
- Remove the rubber cover from the micro USB port (1).
- Follow the instructions on the website.



(\*) A micro USB cable is not included with the product.

- Keep the rubber cover for the micro USB port (1) to hand after removal.
- Replace the rubber cover whenever the micro USB port (1) is not in use.
- The IP44 splash rating only applies to the L1000 BC X video light if the micro USB port (1) is sealed using the rubber cover.

## Caring for and cleaning the product

<b>CAUTION!</b>	
	<p>Incorrect cleaning can cause damage to the product.</p> <ul style="list-style-type: none"><li>➤ Do not use any harsh chemicals or solvents to clean the product.</li><li>➤ Only clean the product as described in this manual.</li></ul>

Maintain/clean the product as follows:

- Detach the product from the camera.
- Disconnect the product from the power source.
- Remove dirt, moisture, fluids, saltwater etc using a dry, soft cloth (e.g. a microfibre cloth).
- Contact your dealer if you are unable to remove dirt in this way.

## Storing and transporting the product

### **CAUTION!**

	Storing or transporting the product incorrectly can cause damage. ➤ Only transport and store the product as described in this manual.
--	--

- Always transport the product in such a way that it is protected from impacts, bumps and humidity.
- Observe the conditions in the “Technical data” section when transporting the product.
- Disconnect the product from other parts of the photo equipment and from the power supply before transportation over long distances.
- Disconnect the product from other parts of the photo equipment and from the power supply before storing.
- Always store the product in such a way that it is protected against shocks and impacts.
- Store the product only within the permitted ambient conditions.

Information on the permitted temperature and humidity ranges can be found in the "Technical data" section.

## Battery disposal

Batteries must not be disposed of in household waste! Please dispose of used batteries through a battery return system.

Only return dead batteries.

Generally, batteries are dead when the device no longer functions properly after prolonged use of the batteries.

The battery poles should be covered with an adhesive strip to protect against short-circuiting.

Germany: As a consumer you are legally obliged to return used batteries. You can dispose of your old batteries wherever they were purchased. Alternatively you can also dispose of them at the public collection points in your city or area.

These symbols can be found on batteries containing harmful substances:

Pb = battery contains lead

Cd = battery contains cadmium

Hg = battery contains quicksilver

Li = battery contains lithium

## Disposing of the product

### In Europe

- Discard the product's packaging according to material. Use your local waste disposal facilities for paper, cardboard and lightweight packaging.
- Dispose of the product and used batteries separate to household waste. For information on collection points which accept old devices free of charge, contact your local or city authority.



Your Metz product was designed and manufactured with high-quality materials and components that are recyclable and reusable.



This symbol means that electrical and electronic equipment must be disposed of separately from household waste at the end of its service life.

Please dispose of this device at your local collection centre or recycling centre.

Please help to preserve the environment which we live in.



Note: Within the framework of the CE mark, the correct function was tested during the EMC test.

### Outside of Europe

- Dispose of the product in accordance with the local regulations applicable at the location in question.
- Please contact your specialist dealer if in any doubt.

## Warranty conditions

### Federal Republic of Germany

1. The warranty conditions solely apply to purchases made in the Federal Republic of Germany.
2. In other countries, the warranty regulations of the respective country or warranty regulations of the seller shall apply.
3. The following conditions are only valid for private use.
4. The warranty period – 24 months – begins upon the conclusion of the purchase contract or the day on which the device is delivered to the buyer (end consumer).
5. Warranty claims can only be asserted when accompanied by proof of purchase date in the form of the original sales receipt issued automatically by the seller.
6. We ask you to return defective devices together with the purchase receipt either via the specialist dealer or directly to the company Metz mecatech GmbH, Central Customer Services, Ohmstraße 55, 90513 Zirndorf, Germany in a safe and secure manner with a detailed description of the complaint. Outward and return shipping is at the risk of the buyer.
7. The warranty is based on devices which become defective due to a recognised error in fabrication or the materials used and which are subsequently repaired or replaced, should repairing the device entail disproportionate expense. Further liability, particularly for damage which did not arise on the basis of the device itself, is excluded. This shall not apply in the case of intentional acts or gross negligence for which the assumption of liability is mandatory. Warranty services do not extend the warranty period and replaced or improved parts do not establish a new warranty period.
8. Improper handling and interventions by the buyer or third parties cause warranty obligations and all other claims to expire. The warranty furthermore excludes damage or faults caused by non-compliance with the instruction manual, mechanical damage, expended batteries, force majeure or water/lightning etc.. Furthermore, the warranty does not cover wear, consumption or excessive use. This particularly affects the following parts: contacts.
9. These warranty conditions do not affect the buyer's warranty claims against the seller.

Metz mecatech GmbH  
Ohmstraße 55  
D-90513 Zirndorf  
[www.metz-mecatech.de](http://www.metz-mecatech.de)

## Contact for service requests

- Should any problems arise when using the product, contact your dealer or the manufacturer immediately:

Metz mecatech GmbH

Ohmstraße 55

90513 Zirndorf

Tel.: +49-911-9706-0

Email: [info@metz-mecatech.de](mailto:info@metz-mecatech.de)

Website: [www.metz-mecatech.de](http://www.metz-mecatech.de)

Metz mecatech hereby declares that this device is in compliance with the essential requirements and other relevant provisions of directive 1999/5/EC. In accordance with the R&TTE directive 1999/5/EC, the conformity declaration can be found at:

[www.metz-mecatech.de](http://www.metz-mecatech.de)

Subject to technical changes and errors.