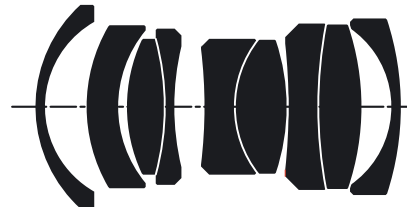
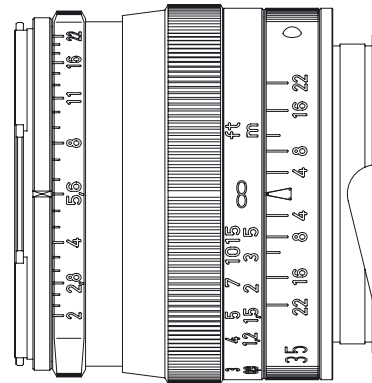


Biogon T* 2/35 ZM

The powerful all-rounder

The lens of choice when a single lens has to do it all. This 9-element lens based on the Carl Zeiss Biogon® design features outstanding image quality, high speed at a small size, stunning resolving power and next to zero distortion – a unique combination for an M-bayonet camera. Ideal for travel, photojournalism, human-interest reportage, outdoors and indoors photography, and documentation.



Technical Specifications

Focal length: 35 mm

Aperture range: 2 – 22

No. of elements/groups: 9/6

Focusing range: 0.7 m – infinity

Image ratio at close range: 1:18

Coverage at close range: 43 cm x 65 cm

Angular field, diag./horiz./vert.: 63°/54°/38°

Filter: M 43 x 0.75

Weight: 240 g

Length: 56 mm

Cat. No. silver: 30 82035

Cat. No. black: 30 82036

Subject to change.

Carl Zeiss AG

Camera Lens Division
73446 Oberkochen
Germany

Tel: +49 73 64 20-61 75
Fax: +49 73 64 20-40 45
E-Mail: photo@zeiss.de
www.zeiss.com/photo



We make it visible.

Biogon T* 2/35 ZM

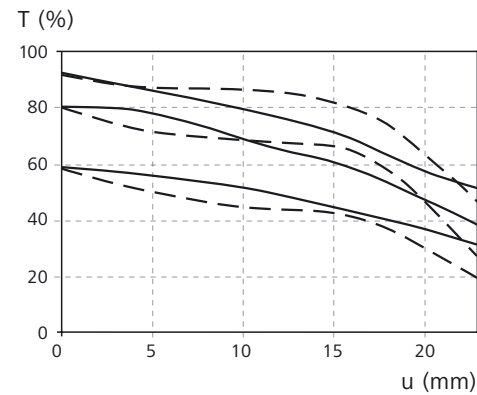
Performance data

Modulation transfer T as a function of image height and slit orientation: sag ——— tan - - -

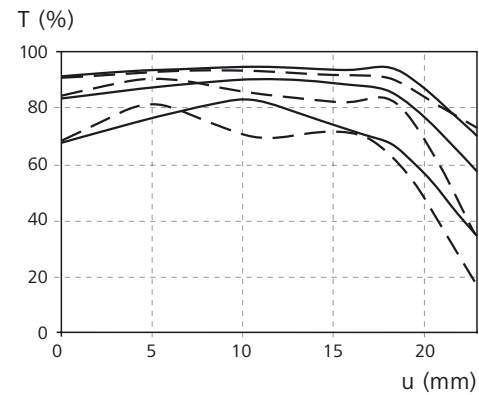
White light. Spatial frequencies R = 10, 20 and 40 cycles/mm.



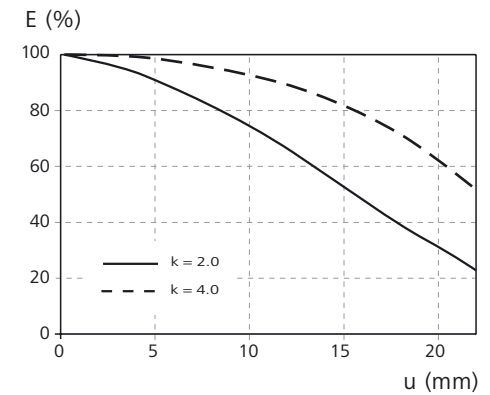
f-number: k = 2.0



f-number: k = 4.0



Relative illuminance



Subject to change.

Carl Zeiss AG

Camera Lens Division
73446 Oberkochen
Germany

Tel: +49 73 64 20-61 75
Fax: +49 73 64 20-40 45
E-Mail: photo@zeiss.de
www.zeiss.com/photo



We make it visible.